

HIAB Z-PRO 171



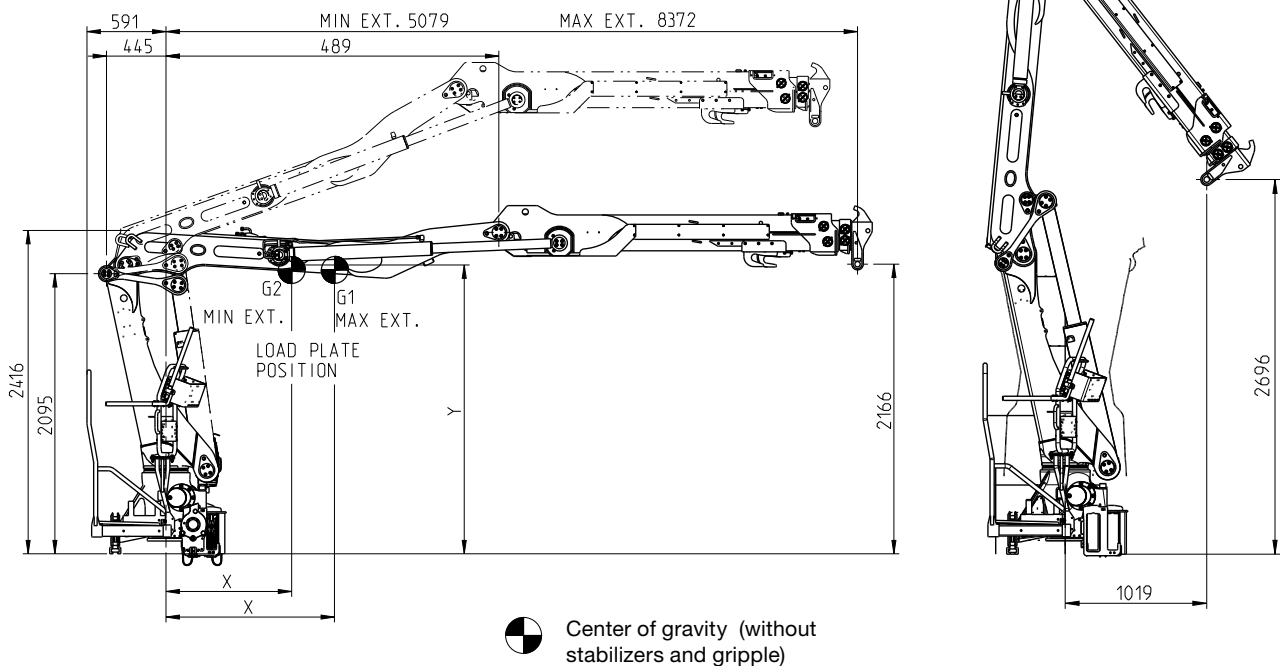
HIAB Z-PRO 171 BASIC DATA

Technical data	HIAB Z-PRO 171
Lifting capacity (kNm)	160
Hydraulic extension outreach (m)	8.4
Weight (kg)	2670
Height Stretched (mm)	2604
Free load space (mm)	2062
Min outreach (mm)	5172
Max outreach (mm)	8372
Hook pos at 1019 (mm)	2696
Height folded (mm)	2501
Width folded (mm)	2542
Installation space needed	1041
Operation	Manual
HPL link	Yes
ASC	No
PFD	No
Variable pump	Yes
Three-point bridge	Yes
Integrated slew sensor	Yes
Folding within truck dimensions	Yes

This table shows a few examples of models, and represents some of all options available. With the opportunity to configure your crane, we can provide you with a crane perfectly tailored to your needs.

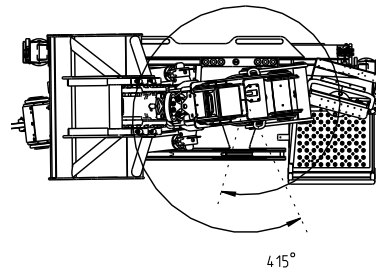
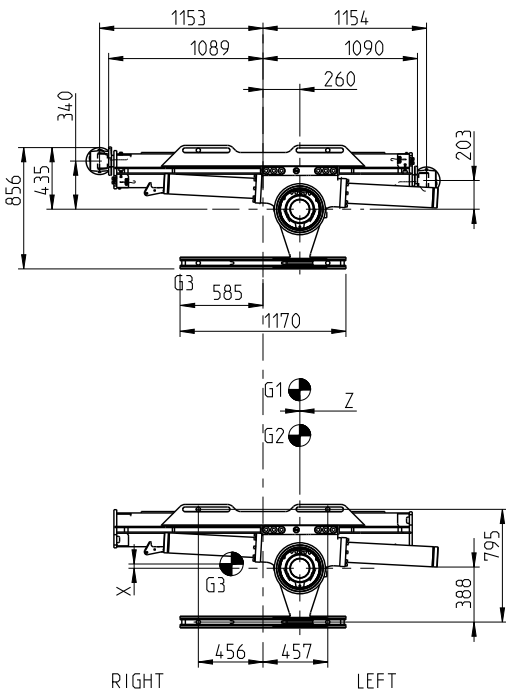
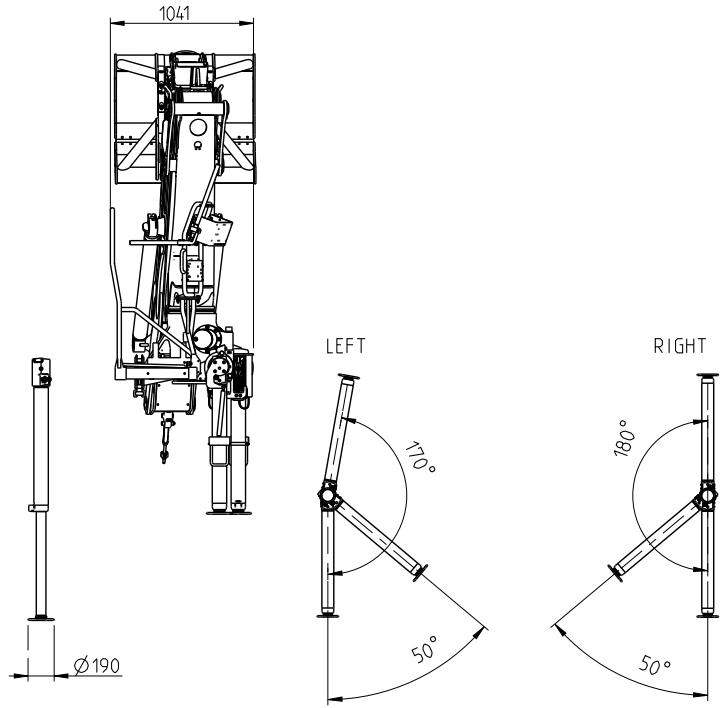
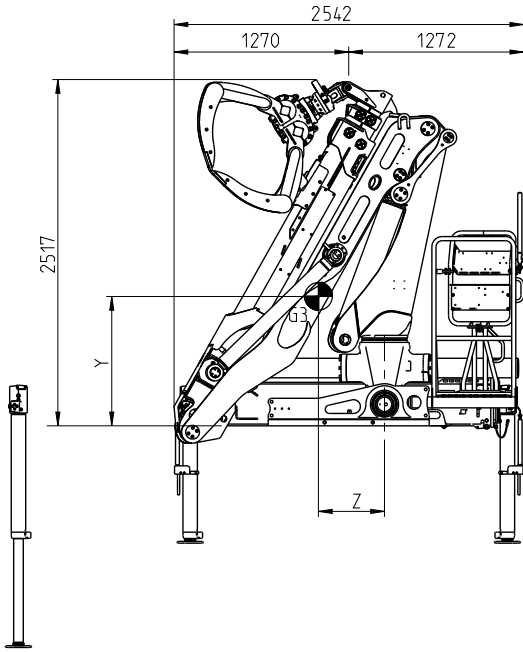
Please contact your local dealer for more information on the variety of options we can offer.

HIAB Z-PRO 171



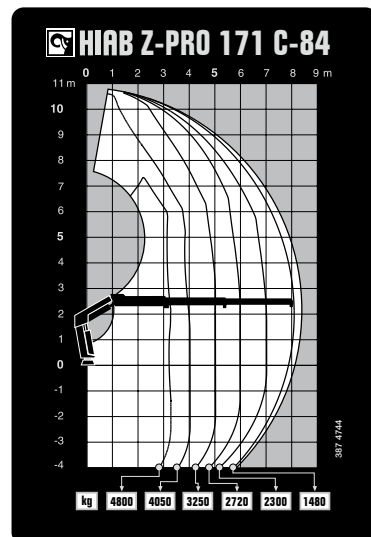
Center of gravity (without stabilizers and grapple)

	X	Y	Z
G1	1260	2160	0
G2	940	2160	0

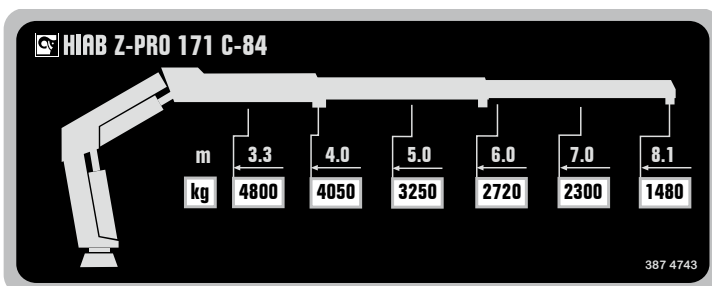


	X	Y	Z
G3	30	940	-480

Load diagram HIAB Z-PRO 171



Capacity plate HIAB Z-PRO 171



BUILT TO PERFORM

Hiab is the world's leading provider of on-road load handling equipment. Customer satisfaction is the first priority for us. Hiab's product range includes HIAB loader cranes, JONSERED recycling and forestry cranes, LOGLIFT forestry cranes, MOFFETT truck mounted forklifts and MULTILIFT demountables, as well as DEL, WALTCO and ZEPRO tail lifts.

hiab.com

Hiab is part of Cargotec.

cargotec.com

Disclaimer. We reserve the right to make changes. Illustrations, drawings and data are not always in accordance with the latest version or standard model in production. The models in the pictures may present special equipment or colours.

TD-ZPRO171-EN-EU_160608