

# HIAB T-DUO 023



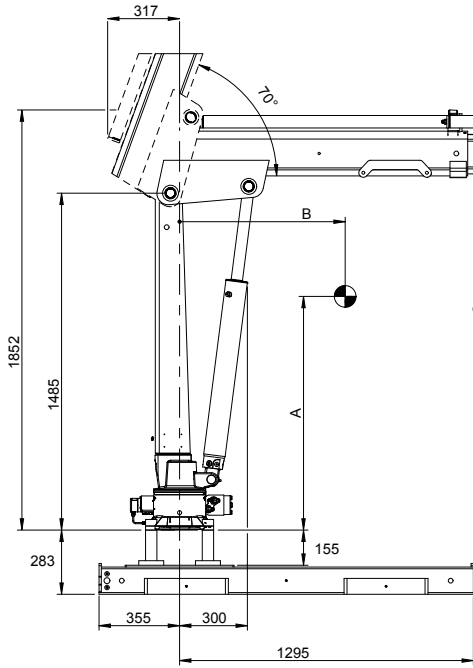
# HIAB T-DUO 023 BASIC DATA

Technical data	DUO 023-2	DUO 023-3
Max. lifting capacity (kNm)	23,9	23,6
Lifting capacity (tm)	2,4	2,4
Outreach / lifting capacity, hydraulic extension (m/kg)	1.5/1620 2.4/1000 3.4/700	1.5/1600 2.4/980 3.4/670 4.4/520
Outreach / lifting capacity, manual extension (m/kg)	4.4/530 5.5/410	5.5/400
Outreach, hydraulic extensions (m)	1,9	2,9
Hydraulic boom extensions (m)	3,4	4,4
Outreach, manual extensions (m)	2,1	1,1
Lifting height above installation level (m)	4,7	5,7
Manual lifting height above installation level inc. Manual ext.(m)	6,7	6,7
Recommended oil flow (l/min)	10	10
Power needed at rec. oil flow (kW)	3	3
Max. working pressure (MPa)	17,5	17,5
Tank Capacity PTO (l)	18	18
Slewing angle ( ° )	322	322
Max. slope viable at full capacity ( ° )	5	5
Slewing torque, gross (kNm)	3	3
Slewing speed (°/s)	10	10
Height in folded position (mm)	1551	1551
Width in folded position static mounted (mm)	798	798
Width in folded position truck mounted (mm) no stab beam/with stab beam and tilting	1826/1926	1826/1926
Installation space needed static mounted (mm)	300	300
Installation space needed truck mounted (mm)	536	536
Weight, static mounted (kg)	260	298
Weight, mounting frame plus 2 short hydr. stabilizer legs (kg)	121	121

*This table shows a few examples of models, and represents some of all options available. With the opportunity to configure your crane, we can provide you with a crane perfectly tailored to your needs.*

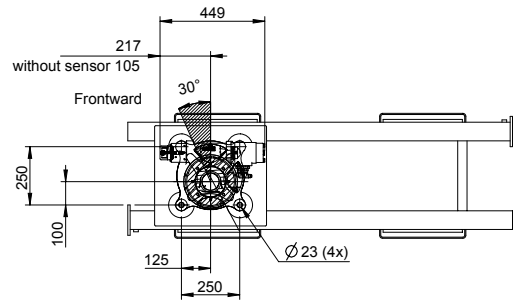
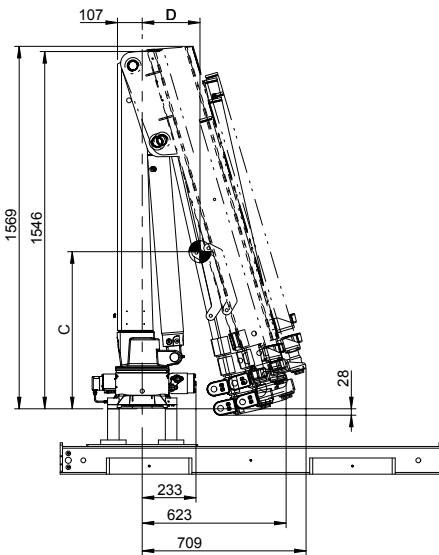
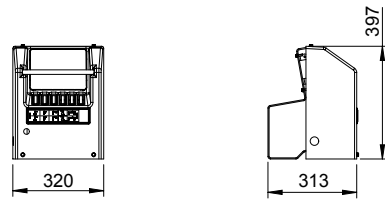
*Please contact your local dealer for more information on the variety of options we can offer.*

# HIAB T-DUO 023-2

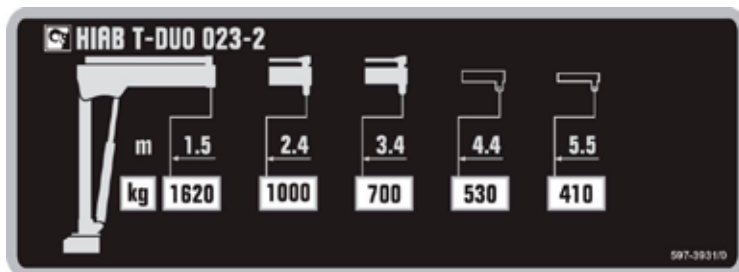


Center of gravity

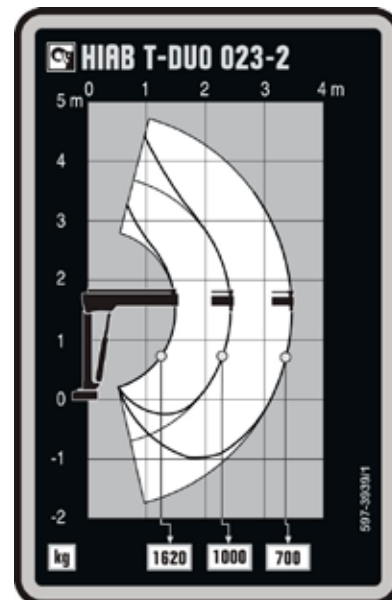
A	B	C	D	E min	E max
1030	730	680	220	1403	3403



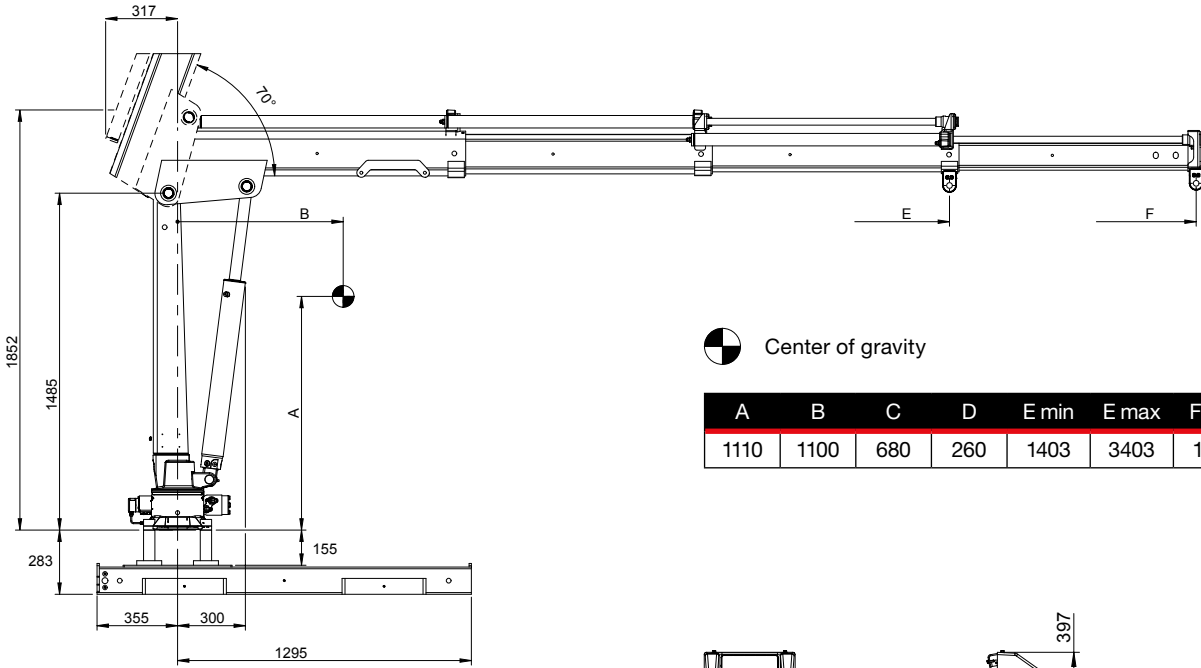
## Capacity plate HIAB T-DUO 023-2




## Load diagram HIAB T-DUO 023-2

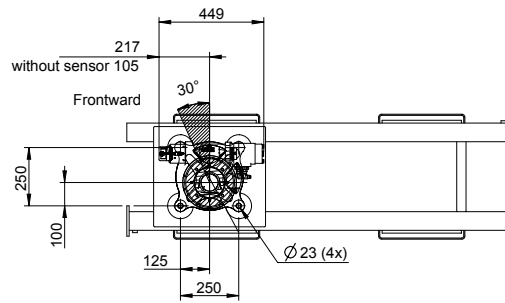
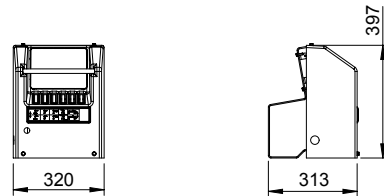
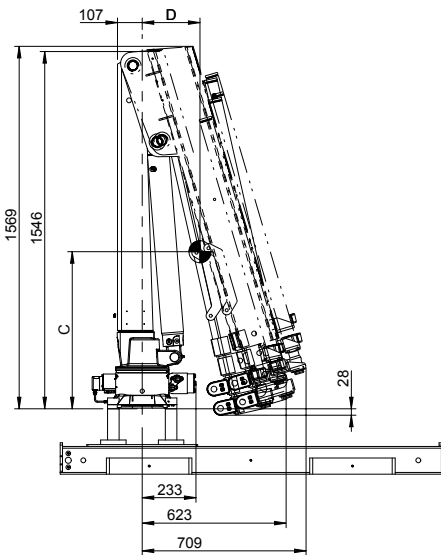


# HIAB T-DUO 023-3

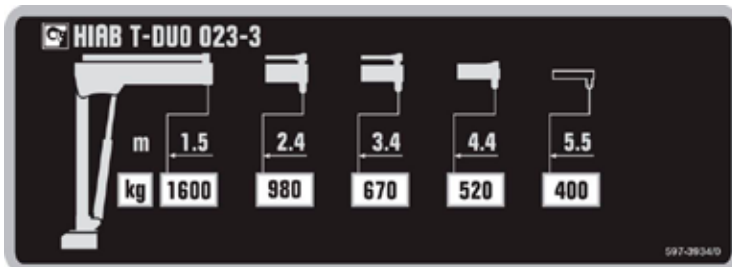


 Center of gravity

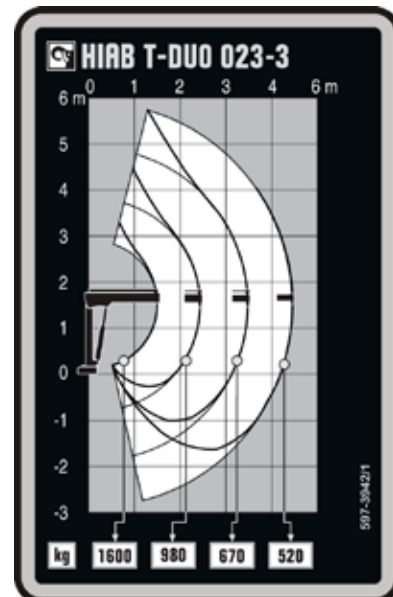
A	B	C	D	E min	E max	F min	F max
1110	1100	680	260	1403	3403	1490	4490



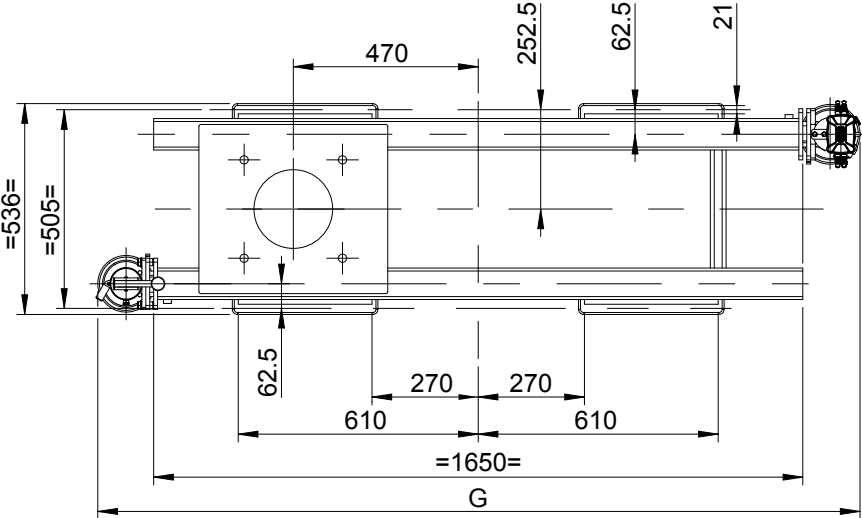
## Capacity plate HIAB T-DUO 023-3



## Load diagram HIAB T-DUO 023-3

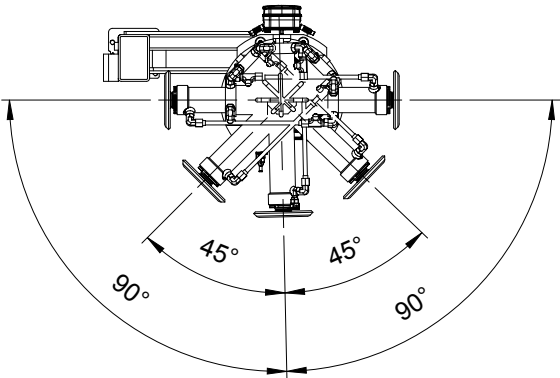


**HIAB T-CLX 023**

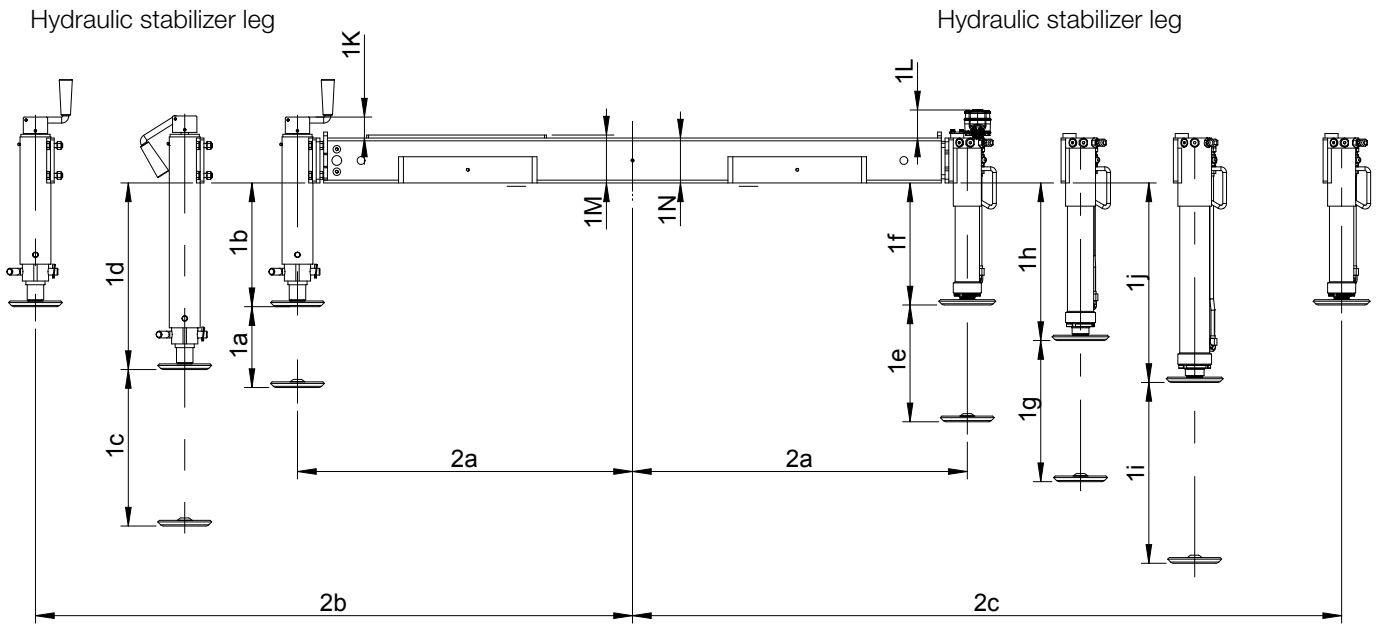


G	
Fixed	1826
Fixed with tilting device	1886
Extension	1866
Extension with tilting device	1926

**Tiltable stabilizer leg parking positions**



# HIAB T-CLX 023



## Other base dimensions

	Fixed stabilizer leg position	Tilttable stabilizer leg
1K	56	33
1L	75	52
1M	128	128
1N	120	120

## Stabilizer leg length

		Tilttable stabilizer leg		Fixed stabilizer leg position
Manual stabilizer leg	Short	1a	216	216
		1b	330.5	353.5
	Medium	1c	418	418
		1d	498.5	521.5
Hydraulic stabilizer leg	Short	1e	312	312
		1f	326	349
	Medium	1g	377	377
		1h	421	444
	Long	1i	483	483
		1j	533	556

## Base width

		Fixed stabilizer leg	Stabilizer extension length Short (300 mm)	Stabilizer extension length Medium (600 mm)	Stabilizer extension length Long (1100 mm)
Fixed stabilizer leg position	2a	875	895	895	895
	2b		1195	1695	1995
	2c		1195	1695	1995
Tilttable stabilizer leg	2a	905	925	925	925
	2b		1225	1725	2025
	2c		1225	1725	2025

A sheet of white paper with 30 horizontal ruling lines, evenly spaced for writing.

# BUILT TO PERFORM

Hiab is the world's leading provider of on-road load handling equipment. Customer satisfaction is the first priority for us. Hiab's product range includes HIAB loader cranes, JONSERED recycling and forestry cranes, LOGLIFT forestry cranes, MOFFETT truck mounted forklifts and MULTILIFT demountables, as well as DEL, WALTCO and ZEPRO tail lifts.

[hiab.com](https://hiab.com)

Hiab is part of Cargotec.

[cargotec.com](https://cargotec.com)

**Disclaimer.** We reserve the right to make changes. Illustrations, drawings and data are not always in accordance with the latest version or standard model in production. The models in the pictures may present special equipment or colours.

TD-TDU0023-EN-EU\_150702